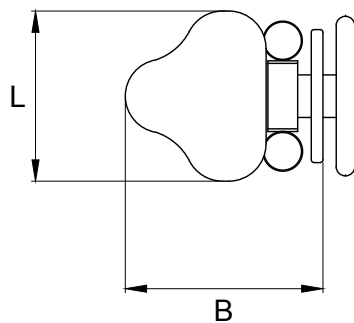
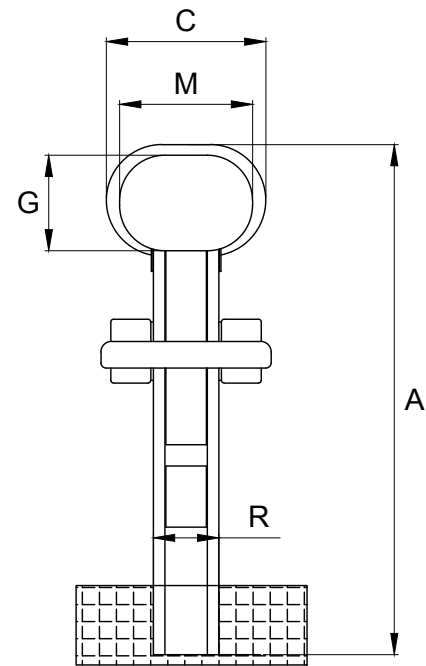
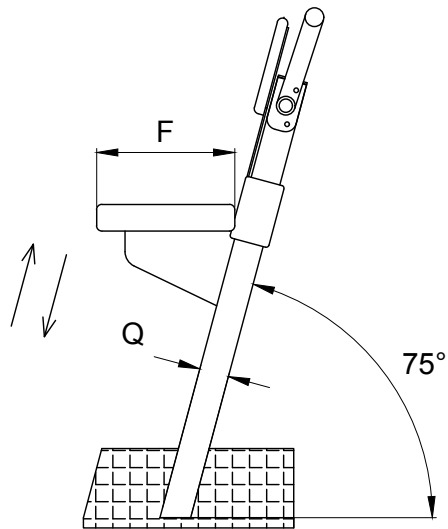


A (mm)	≈ 960
B (mm)	≈ 370
C (mm)	300
F (mm)	260
G (mm)	180
L (mm)	320
M (mm)	250
Q (mm)	56
R(mm)	123
Weight (Kg)	17



The padding could vary the sizes of few centimeters



Product

P 341

Helm Seat